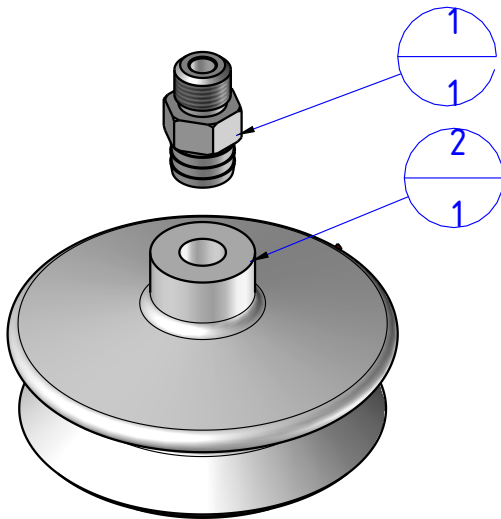
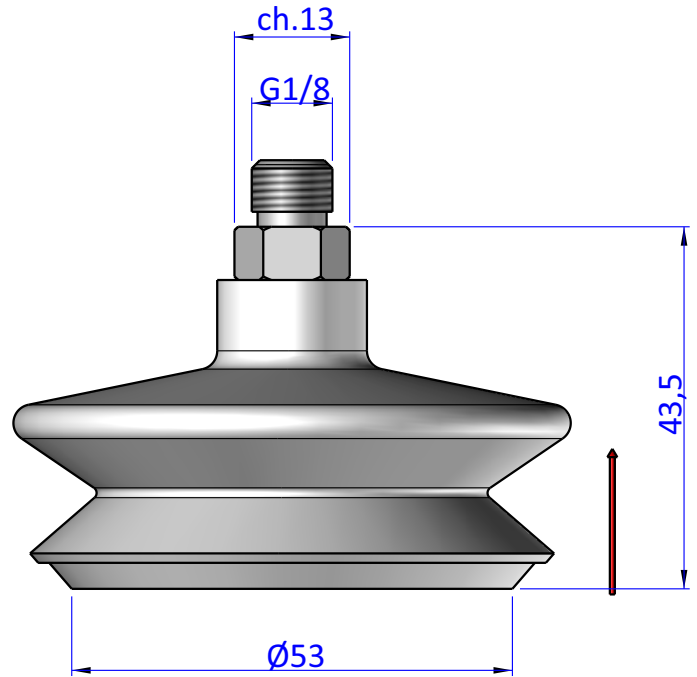

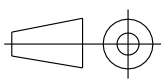


THE PROPERTY OF THE DRAWING IS ESTABLISHED BY LAW. IT IS FORBIDDEN TO PRODUCE OR SHOW IT TO THIRD PART. WITHOUT A WRITTEN AGREEMENT.

Item	Name	Q.ty
1	CA.08.09.011	1
2	CA.08.26.D63.AS	1



Format A4 UNI 936-76	 <b>FPS</b> FPSERVICES AUTOMATION			DESIGNED FROM <b>FPS Automation</b>	REVIEW <b>A</b>
	GENERAL TOLERANCE UNI - ISO 2768 CLASSE f	DESCRIPTION <b>KIT.08.26.D63.11</b>		DATE <b>04/11/2020</b>	WEIGHT <b>0,016kg</b>
	CODE <b>KIT.08.26.D63.11</b>				